
AN INTELLIGENT PHARMACY AND HEALTH CARE SERVICES

Nandini G ¹, Anitha K ²

^{1,2}Asst Prof, Dept. of CSE, RajaRajeswari College of Engineering

¹ nanduamma@gmail.com ² anithakrishna14@gmail.com

ABSTRACT: This paper delineates the model of the All Time Medication and Health device for the use of every person needing prescriptions or clinical assistance. ATMAH incorporates a customized prescription treats machine to allot steadies as indicated by an authority's cure. The circulating framework is constrained by the raspberry pi which is a lone board PC and its second piece is the online section for a customer to check his medications, and for the pro to make an prescriptions. The device allocates out the prescribed prescriptions by the authority when the customer affirmations of patients are endorsed from the database. The online passage depends on two fronts - a page and an android application which are associated with a comparable database. The patient can see his nuances likewise, cures through the android application or site page by marking in with legitimate accreditations.

Keywords: medication gadget, clinical administrations, wellbeing application, e-solution, wellbeing security.

1. Introduction

In the current years, there has been a critical augmentation in transmittable and non-transferable afflictions, and with people getting dynamically careful about their prosperity there has been a huge improvement in the social protection industry. In the coming quite a while, digitized organizations, versatile advancement and improved data organizations are depended upon to expect an essential activity in improving social protection transport, especially in the nation zones[1]. A couple of associations are as of now considering advantageous, yet monetarily smart headways what's more, automated responses for the fight to come the clinical issues and improve social protection transport. Regardless, the amount of associations put assets into this zone are up 'til now relatively few and the development is limited. Various countries are up 'til now having backward establishment with respect to restorative administrations and what's progressively, an enormous bit of the social protection specialists moreover, organizations are accumulated in the urban zones leaving the nation locale underserved[3]. A WHO and World Bank Group outline released in 2015 demonstrated that 400 million people the world over didn't move toward key prosperity organizations. The report too found that, across 37

countries, 6% of the people was tipped. or then again crashed further into unprecedented dejection since they expected to pay for their prosperity organizations

or then again crashed further into phenomenal desperation since they expected to pay for their prosperity organizations. In India, which having the world's second greatest masses of 1.3 billion, system isn't about enough to consider the necessities of the people. The Primary Health Centers (PHCs) in natural India are short of more than 3000 pros. An assessment on 'Purchaser Discernments, Availability, Role, Services Provided, Medicines and Desires for Pharmacists in India' by D. B. Anantha Narayana et al done in 2011 demonstrated that in India only 4% of the people taking an interest in the examination didn't visit clinical shops, while 12% didn't have a clinical shop in the district. Amidst emergency, particularly in remote areas, people have no spot to proceed to get their vital prescriptions or face inconveniences in gaining drugs at perfect time There has been an extended thought and effort from private part and new organizations in India, to give quality human administrations diagnostics and organizations at lower costs[4][5].

This paper depicts the model of the All Time Medicine additionally Health system (ATMAH) which can give a minute stockpile of prescribed solutions and a quick correspondence with authorities if there ought to be an event of emergencies. An extended accessibility and security of drugs, and hence cost decline are relatively few of the significant focal points of the structure. ATMAH involves a modified medicine treats machine that works using a PC. The customers essentially need to enter their extraordinary cure ID into the device UI. In case the cure is found considerable, the customer would be allowed to purchase those drugs through the normal working of a treats machine. An authority is given an online section to make a solution for a patient. As the authority makes the remedy, the patient can get to the data on his convenient application to know his cure ID. At the present time, ID is kept known particularly to the patient, to avoid bad conduct by the pro. Since all the clinical trades are directly made on the web, each and every prescription stock can be followed with no issue. The general circumstance of the arrangement and utilization of drugs would change. The trades would be continuously secure, unlawful idea of meds would arrive at a resolution. Any carelessness by the expert could be gotten supportively. As the master makes the remedy, the patient can get to the information on his adaptable application to know his fix ID.

2. Literature review

Isabel Laranjo et.al [1] have proposed a method using RFID innovation (Radio Frequency Identification) empowers putting a distinguishing proof name into a specific item and, by methods for a per user, get the data identified with it with no physical contact. The utilization of these labels in clinical setting empowers a quick and exact recognizable proof of every patient. since, utilizing RFID labels, ready to effectively and remotely set up a medicine control framework, starting from doctors medicine to pharmaceutical medication organization This paper presents the usage and examination of

a model help, with a web interface, considering a first assessment of the proposed administration. The model assistance dependent on RFID, EPC (Electronic Product Code) and ONS (Object Name Service) and its web interface are introduced and assessed. The goal of the framework is at first modified remotely through a wireless. Luciano Boquete et.al [2] have addressed the wake of programming, the framework might be reconfigured so as to adjust pill administration to new conditions. Right now portray the mechanics, hardware, control, and correspondence conventions executed and consistence in medication administration has demonstrated basic for measurement control, analysis, and treatment. This work has been planned, made, and portrayed a novel progressively programmable e-pill apportioning framework. Our dyn-e-pill gadgets can be impelled for more than 350 h with two pill recoveries for each hour while it goes on for 14 h of continuous use with a full charge. Hong Lei et.al [3] narrated about the examination plan of the mechanized drug store framework which is target getting to the pressed medications, which shows that the framework ought to have three fundamental capacities and executions of three principle capacities and also represented the point by point auxiliary structure of the programmed medication input framework, thick medication store framework and medication yield framework; and looking into on control techniques for each executing organization in the framework.

Kim.et.al [4] have narrated about the importance behind this examination is to present a contextual investigation on utilization of down to earth designing. Subject of the investigation is a medication candy machine which comprises of PLC (Programmable Logic Controller), DC engine, switch, photograph sensor, etc. So as to structure and production of the gadgets were inspected and polished and this paper is proposed client made stock or definite tallying are proposed for elite. Right now present the client focused structure of a medication distributor for people experiencing Alzheimer's illness. The model was assessed in two stages with two parental figures and two Alzheimer's patients. Guardians assessed the gadget decidedly. De Beer et.al [5] proposed a framework has been created and applied in Hospital outpatient drug store.

The goal of the paper focuses on the discoveries of Randomized Controlled Preliminaries (RCTs) that looked to distinguish mediations that improve persistent consistence with endorsed antipsychotic medicine systems six examinations indicated improvement in consistence rates following intercessions, albeit just three of these arrived at measurable essentialness. R. Brian Haynes et.al [6] have given a Powerful intercessions included individualized conduct fitting systems and consistence treatment.

3. Design and Implementation

The Fig1 reveals an automatic medicine vending system. The database comprises doctor's portal and the history of patient as well as health assistance portal. Whenever the patient feels by any disease, based on the symptom of the patient this system will analyze the history of the patient and alert the doctor to investigate the present condition of the patient and it will prescribe the corresponding medicine from the databases.

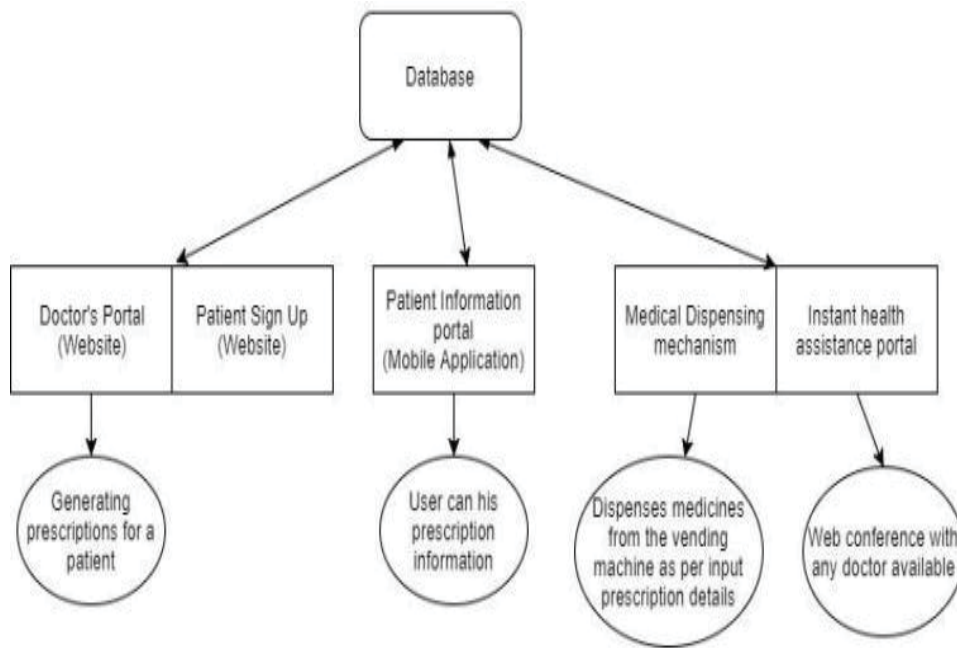


Fig 1: Block diagram of Automatic Medicine system.

WEB Design with HTML and CSS

The principle components of web creation are HTML and CSS. HTML is the fundamental arrangement of labels to tell the Web program how the substance of your pages and applications, for instance headings, sections, or pictures, are orchestrated. HTML is a customary assortment of labels. CSS is a displaying language proposed to make the nearness of substance look like text styles or hues, for instance. These were utilized as a specialist and patient site in the program.

PHP and DATABASE

A programming language that empowers Web engineers to build progressively produced content associating with the database. The PHP Hypertext Preprocessor (PHP) PHP is principally utilized for electronic application creation. SQL is a typical language for access and control of Structured Query Language. Model, SQL can retrieved from a database, embed records into a database, update records into a datable, expel database records, construct new databases, and so forth., is the most significant language to utilize. Base system of mySQListhemostpopulard with PHP.

Raspberry Pi

Raspberry Pi is a small cost-effective device for a single board. It has USB ports, connectors and Internet connectivity via Ethernet as well as WIFI on a computer, mouse and keyboard. The different pins and connectors on the surface of the Raspberry Pi can be connected to other peripherals. Raspberry Pi is very useful for computer projects

because of its small and low costs. The Raspberry Pi supports a variety of RasbianOS operating systems. The machine is used in all distributors to meet the many tasks.

Python and Tkinter

Python is a significant level programming language deciphered, intelligent, object-arranged. This is extremely like PERL and pHP. Python utilizes Object situated Programming. GUI systems are accessible for Python.Tkinter is the standard gui library for python. Python when joined with Tkinter gives a quick and simple approach to make gui application. Tkinter isn't the main Python toolbox for GUI Programming, however is the one regularly utilized. It was utilized to fabricate the clinical deal gadget's GUI for the clinical distributing gadget.

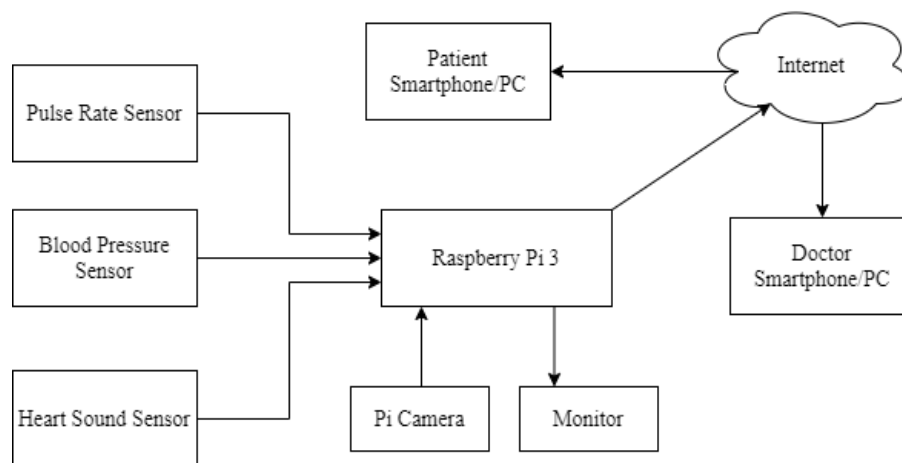


Fig 2: Block diagram of Automatic Medicine Vending system.

The Fig 2 reveals an automatic medicine vending system. The database comprises doctor's portal and the history of patient as well as health assistance portal. Whenever the patient feels by any disease, based on the symptom of the patient this system will analyze the history of the patient and alert the doctor to investigate the present condition of the patient and it will prescribe the corresponding medicine from the databases.

Raspberry pi is an IoT device which can monitor all the devices such as Pulse Rate Sensor, Blood Pressure Sensor, Heart sound Sensor, Camera, monitor with the doctor's smart phone as well as the patients smart phone through the internet. When any sensor identify an anomaly then it will alert the doctor to give the necessary treatment for the particular patient

4. Design and Functioning

The ATMAH programming can be subdivided into two significant segments essential to the activity of the product, for example sites, web servers, and android

applications and Python GUI-based Raspberry Pi. Itemized clarifications of the plan and activity of the frameworks and subsystems in these two parts have been given right now. We have made a cell phone application with a similar usefulness as the site alongside both key segments, yet it is all the more simple to use in a phone.

Web servers and websites

The front finish of the site was structured utilizing HTML and CSS. The SQL database, which gives enlisted doctor data, the professionally prescribed meds rundown and medicine numbers was connected to the front finish of the PHP. The business machine is connected to the database alongside the specialist's entrance. Just authorized specialists in the medication database can get to the site. Specialist approval for unapproved passage and use isn't given. If there should arise an occurrence of specialists. Specialists may utilize a username and secret phrase to get to the site and pick a solution number from a rundown of medications to recommend when they are finished. This is the thing that we are discussing.

User interface

ATMAH's UI contains a screen and console, a live gathering camera, a heartbeat sensor and the clinical deals highlight, all of which bolstered by the Raspberry Pi processor's spine. With the Python 'tkinter' Library, the Graphical User Interface (GUI) was created. The Software empowers the customer for a prompt social insurance and access to medicine medicines to play out a live video gathering with any specialist. The patient enters the GUI through a console with his username, secret word and the solution number. The web contact Raspberry Pi gathers data about the administrative power.

- Monitor and Keypad-he Raspberry Pi has a HDMI port that can be connected to a camera, show or Laptop legitimately. The screen is outfitted with VGA port and is associated with a HDMI to VDA connector link. Any standard console and mouse can be associated with the Raspberry Pi by means of USB space. Basically, Raspberry Pi is a straightforward machine, and it is easy to use by associating the mouse and the console.
- Camera and heartbeat sensors -The camera Module Raspberry Pi can take photograph and video in full HD 1080p and can be modified. Both Shell (Linux Command Line) and Python are accessible libraries for camera use, of which Python is utilized for camera programming. A standard USB webcam can likewise be utilized as opposed to utilizing the camera module to take video in Raspberry Pi, however it should be downloaded and empowered so as to program it. There are no simple control pins for Raspberry Pi. The beat sensor is likewise fitted with a simple to advanced converter (ADC). The ADC is introduced in the SpiDev library in the Raspberry Pi.

- Vending Mechanism -For the prescription conveying movement we have displayed two instruments as a model of the cutting edge sweets machine. First is the vehicle line structure related with dc motor and motor drivers for the vehicle line to manage out the suggested number of meds. The system uses a Raspberry Pi to control the speed of a DC motor associated with transport line to direct out the drugs. The speed of the motor is direct comparing to the voltage applied over its terminals. Thusly, if the voltage over the motor terminals is uncommon, by then the speed of the motor is also extraordinary. Heartbeat Width Modulation (PWM) is conveyed at the yield by the Raspberry Pi board as demonstrated by the formed program and depending upon the duty cycle, the ordinary current gushing or the typical voltage given through the motor changes right now, motor speed furthermore changes. A motor driver IC is interfaced to the board for tolerating PWM signals and sending supported yield for speed control of the DC motors. Infrared sensor has been used to screen the amount of prescription allocated by the vehicle line. Second, is the LED appear. The Raspberry Pi board incorporates programmable headings that control the light power reliant on the beat width alteration signals conveyed. As a model of the real drug controlling action we have a LED allotted to all of the remedies in the sweets machine that radiance the events the medicine distributes.

5. Results and discussions

Right now age where clinical issues are ending up being progressively typical, everyone requires solutions at some point or another of their lives anyway only one out of every odd individual gets the most ideal prescription and human administrations in time. Authentic assessments made by the OECD in the year 2014 showed that the utilization on social protection made by various countries was low to the point of in reverse and a huge bit of the therapeutic administrations organizations fail to show up at the low-pay people of the countries. The audit even showed that the amount of pros and clinical specialists available per 1000 of the people was in like manner low. A WHO and World Bank Group review released in 2015 showed that 400 million people far and wide didn't move toward essential prosperity organizations.

The report in like manner found that, across 37 countries, 6% of the people was tipped or crashed further into uncommon poverty since they expected to pay for their prosperity organizations. The condition has progress starting now and into the foreseeable future yet there is up 'til now the possibility of development and improvement. In India, medicinal services has gotten perhaps the biggest area both as far as income and work and the business is developing at a gigantic pace attributable to its reinforcing inclusion, benefits and expanding use by open too private players. However, a large portion of the medicinal services development is engaged in urban India and the country areas are as yet ailing in legitimate human services administrations. The Primary Health Centers (PHCs) in natural India are short of more than 3000 masters. In one of the assessments, it was shown that 143 open workplaces found truancy of 45% masters from PHCs with 56% of time saw as

shut with an inconsistent case of end and non-appearance during standard hour visit. This suggests various people in the commonplace districts are up 'til now unfit to get the opportunity to genuine medications or hear experts perspective for their diseases in time. At the present time have expected to offer a response for this issue. With the ATMAH contraption smart and successful examination and drugs can be given so no individual needs to mull over the nonappearance of clinical assistance. Since setting up a sweets machine is direct and cost gainful, even the remote spots can have the ATMAH devices set up. In remote zones and towns where such workplaces aren't open viably, this contraption can be an assistance. Specifically this gateway can help people with getting the required medicine(s) quickly if there ought to emerge an event of emergencies with the consent of an enrolled master.

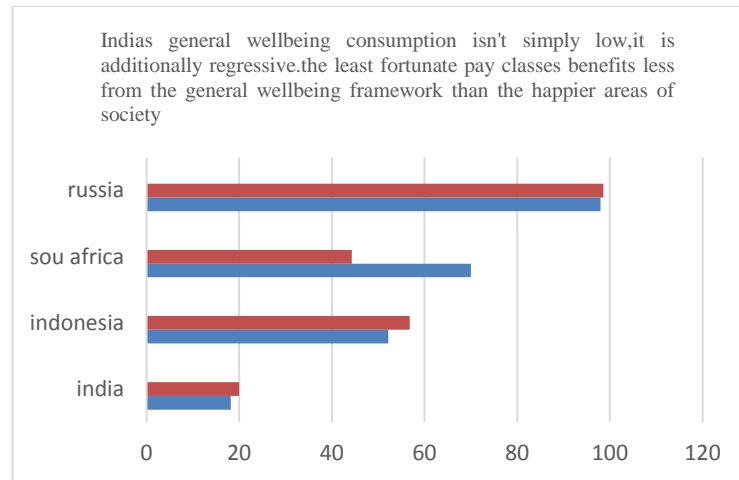


Fig.3 Measurements of The Medicinal Services Consumption

Fig. 3 .The figure shows the measurements of the medicinal services consumption of nations around the globe. Nations like India and Brazil have low extent of lower pay classes with access to free medicinal services. The information is taken from the OECD Economic Survey, 2014

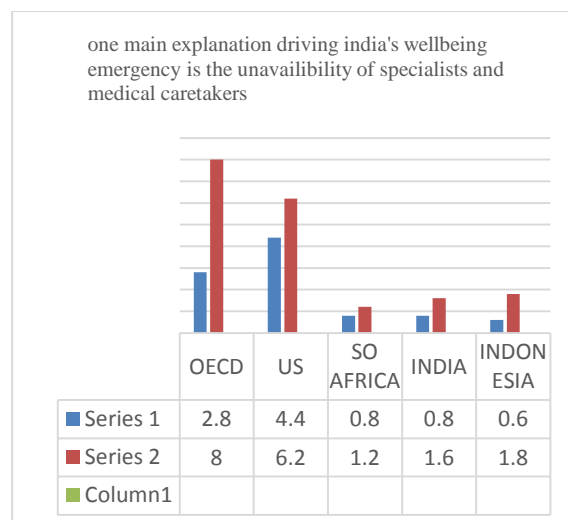


Fig. 4. The figure shows the quantity of specialists, medical caretakers accessible in different nations per 1000 populace. The information is gotten from the OECD Economic Survey, 2014.

At places where setting up tranquilize stores are inconvenient, for example, disagreeable mountain domains or remote turnpikes, just a web affiliation just a web affiliation will be required to get the medications from the ATMAH device. Not only does this contraption give prescriptions in emergency cases, yet also makes the drug business dynamically secure and lessens the cost of these meds appeared differently in relation to the retail outlets. Pharmaceutical bad behavior, incorporates the collecting, trade and scattering of fake, taken or illicit solutions and clinical devices, adulterating and bending of clinical things, their packaging and related documentation, similarly as robbery, deception, unlawful redirection. Where online medication stores could have been a truly necessary advancement in the medicine flow system, interruption of this structure by unlawful executives has put security of the purchaser/purchaser being referred to. Today pharmaceutical bad behaviors have extended a lot and patients over the world put their prosperity, even life, in peril by accidentally consuming fake prescriptions or credible meds that have been doctored, seriously set aside or that have slipped by. Moreover, there are extended occasions of people making unapproved obtaining of meds at the medication stores without cure. The ATMAH device will help with combating these issues by making the drug trades secure and watched. Since the patient will move toward the meds just on getting the medication number from the masters there will be no genuine method to buy non-prescribed drugs. The devices can be also associated with government IDs like institutionalized reserve funds number in USA or ADHAAR number in India, which will make the entire system much progressively ensure about and grant the organization to follow the medicine trade the countries.

All in all, the things that that authority, patients, or anyone most definitely pine for in the therapeutic administrations system are efficiency, security and straightforwardness. Our thing would outfit people with an easy to-use, instantly available and secure structure that anyone paying little heed to their knowledge, especially those living in nation regions, can use so everyone can get clinical organizations at the time of shortage and get it in time.

6. Conclusion

The proposed structure have arranged and made its model and there is still degree for including more features and setting it up industry. The proposed method developed by Raspberry Pi for to its straightforwardness and its ease, yet as an elective game plan BeagleBone can be used. Close by the video correspondence and heartbeat sensors, circulatory strain checking, SpO2 recognizing and various features can be added to make the pros end technique continuously capable. For show of the disseminating part vehicle line and LEDs have been used, anyway later on a genuine mechanical conveying instrument ought to be worked in the contraption to make it utilitarian. An on the web or cash portion section would be solidified to the flexible application and GUI later on with the objective that patients can make online portions for the authority's cost and the

medications. Beside this, collaborating with the organization, private pharmaceutical associations and clinical centers will be principal for setting up the ATMAH devices in different areas to show up at a colossal number of people.

References

- [1] Isabel Laranjo, JoaquimMacedo, Alexandre Santos “ Internet of Things for Medication Control: Service Implementation and Testing” *Procedia Technology*, Volume 5, 2012, Pages 777-786
- [2] Luciano Boquete, J.M. R.-A., Irene Artacho, Joaquin CantosFrontela, NathaliaPeixoto (2010). “Dynamically programmable electronic pill dispenser system.” *Journal of Medical Systems* 34(3): 357-366.
- [3] HongLeiChe, C. Y., and JiYuanZang (2011). “Design and Implement on Automatic Pharmacy System”. International Conference, CSEE 2011, Wuhan, China
- [4] Kim, Moon-Ki; “A Case Study on Practical Engineering Education: Medicine Vending Machine”, *Journal of Practical Engineering Education*, Volume 6, Issue 1, 2014, pp.9-14, Publisher: Korean Institute for Pratical Engineering Education
- [5] Prof R. Brian Haynes, K Ann McKibbon, RonakKanani “Systematic review of randomised trials of interventions to assist patients to follow prescriptions for medications”, *THE LANCET*, Volume 348, Issue 9024, 10 August 1996, Pages 383-386
- [6] de Beer R., Keijers R., Shahid S., Al Mahmud A., Mubin O. (2010) PMD: Designing a Portable Medicine Dispenser for Persons Suffering from Alzheimer’s Disease. In: Miesenberger K., Klaus J., Zagler W., Karshmer A. (eds) *Computers Helping People with Special Needs. ICCHP 2010. Lecture Notes in Computer Science*, vol 6179. Springer,Berlin,Heidelberg.
- [7] Abdulaziz A.Saddique “ Development of Clinical Pharmacy services at king Khalid university hospital and its impact on the quality of healthcare provided” <https://doi.org/10.1016/j.jsps.2012.05.001>
- [8].ShuoTian,WenboYang,JehaneMichaele,GrangePeng,WangWei,HuangZheweiYe “ Smart Healthcare: Making Medical care more Intelligent” <https://doi.org/10.1016/j.glohj.2019.07.001>”
- [9] Kati KõrbeKaare TaunoOtto “ Smart Health care Monitoring Technologies to improve employee performance in manufacturing” <https://doi.org/10.1016/j.proeng.2015.01.437>

[10]. ZeinaRayan, MarcoAlfonse, Abdel-Badeeh M.Salem “ Machine Learning approaches in smart health” <https://doi.org/10.1016/j.procs.2019.06.052>

[11]. ArfanGhani “ Health care Electronics – A Step Closer to future smart cities” <https://doi.org/10.1016/j.icte.2018.01.009>